

Fluorescent Add-A-Lights

Get plenty of lighting even when outlets are limited

Power feed-through or tool-outlet operation offers flexibility.



With integrated power outlets, K&H Add-A-Lights provide maximum flexibility for both daisy-chain use of multiple lamps or the ability to use power tools in conjunction with a rugged, reliable light source.

At work in aircraft manufacturing, commercial construction and large-vehicle maintenance and production, these lights are also suitable for civilian and military shelter units.

Add-A-Lights' power feed-through feature makes them perfect for any area requiring maximum illumination from a minimum number of power outlets.

See back of sheet for additional features, specifications, options and catalog numbers.

APPLICATIONS

- General maintenance
- Construction
- Aircraft interiors
- Shipyards
- Emergency shelters
- Long, narrow pathways such as corridors, hallways and tunnels

FEATURES

- Built-in light reflector for wide, shadowless lighting
- Impact-resistant design and construction protects bulbs from breakage
- Integrated magnetic ballast

OPTIONS

- 20 or 34 watts
- 6' and 25' standard cord lengths
- Custom configurations available upon request

KHTM
K&H INDUSTRIES, INC.

The Permanent Name in
Temporary Lighting & Power

8656 Delameter Road
Angola, NY 14006

Phone: 716-549-0135

Fax: 716-549-2725

www.khindustries.com

Fluorescent Add-A-Lights

Additional Features

- Integrated light reflector for wide, shadowless lighting.
- Easy-to-replace, energy-efficient T12 fluorescent bulbs.
- Shock absorbers protect tube from drops, rough handling and vibrations.
- Industrial-grade K&H Flip-Seal plugs and connectors (P515DF and C515DF).

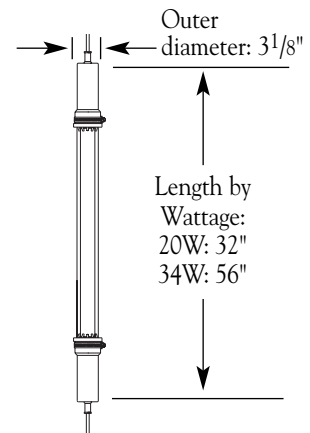


Standard on all K&H Add-A-Lights, our industrial grade Flip Seal plugs and connectors protect power connections from dirt, dust and moisture.

Specifications

- **Watts:** 20 or 34
- **Cord, Plug and Connectors:**
 - **Length:** 6' or 25'; custom cord lengths from 1' to 100' also available.
 - **Type:** 14/3 SJOW, rated 15 amp
 - **Exit Cord:** 2' unless otherwise specified.
 - **Attachment Plug and Outlet:** NEMA 5-15, grounded Flip-Seal plug and connector. Other configurations available upon request.
- **Electrical Operation:** 120 VAC, 60 Hz

Add-A-Light



Catalog Numbers K&H Add-A-Lights

Custom configurations available upon request.



Wattage	Tube Size	Cord Length/Type	Weight (lbs.)	Catalog No.
20	T12	6' straight	5 ³ / ₄	2006-T12ADL
		25' straight	6	2025-T12ADL
34	T12	6' straight	9	4006-T12ADL
		25' straight	12	4025-T12ADL

Ordering Information

K&H Add-A-Lights are available from K&H Industries or a distributor near you. Please call **716-549-0135** or visit www.khindustries.com or more information.



K&H INDUSTRIES, INC.

8656 Delameter Rd., Angola, NY 14006

©2006. K&H and the K&H logo are trademarks of K&H Industries, Inc.